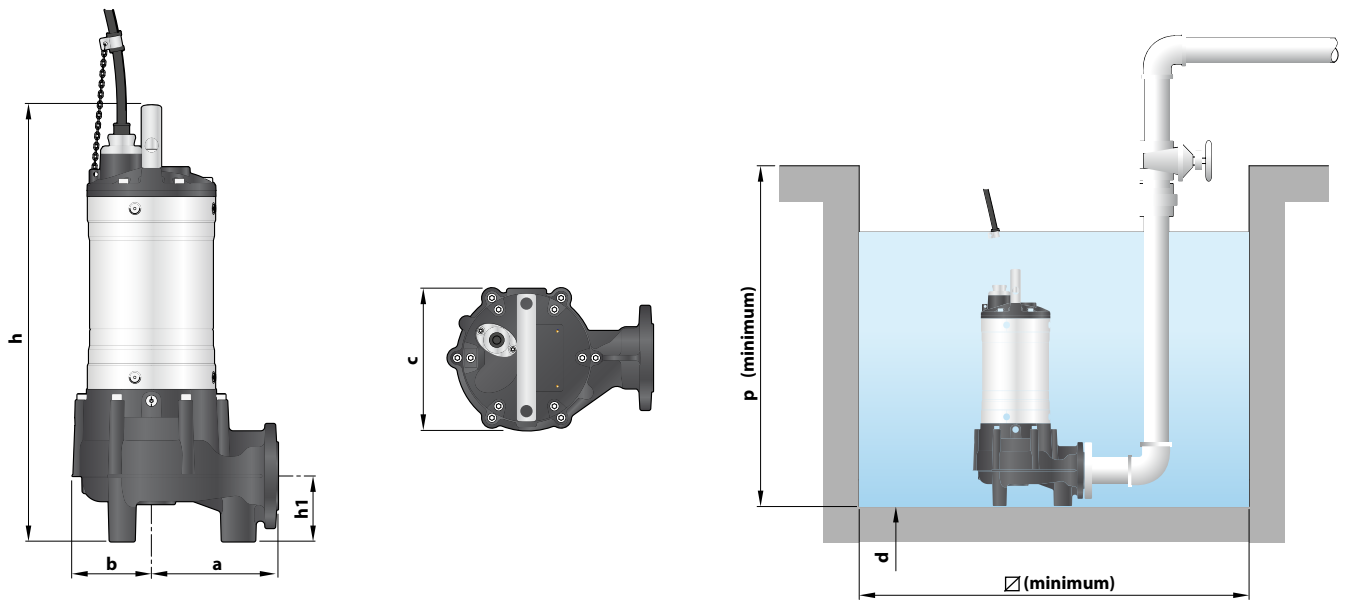


DIMENSIONS AND WEIGHT



MODEL		Passage of solids	DIMENSIONS mm								kg	
Single-phase	Three-phase		a	b	c	h	h1	d	p	□ (minimum)	1~	3~
-	VX 30/40	Ø 40 mm	170	107	192	627	88	60	700	500	56.0	48.9

FLANGED PORT

MODEL	PORT	K	D	HOLES	
				N°	Ø (mm)
Three-phase	DN	mm	mm	4	14
VX 30/40	2"	110	140	4	14

