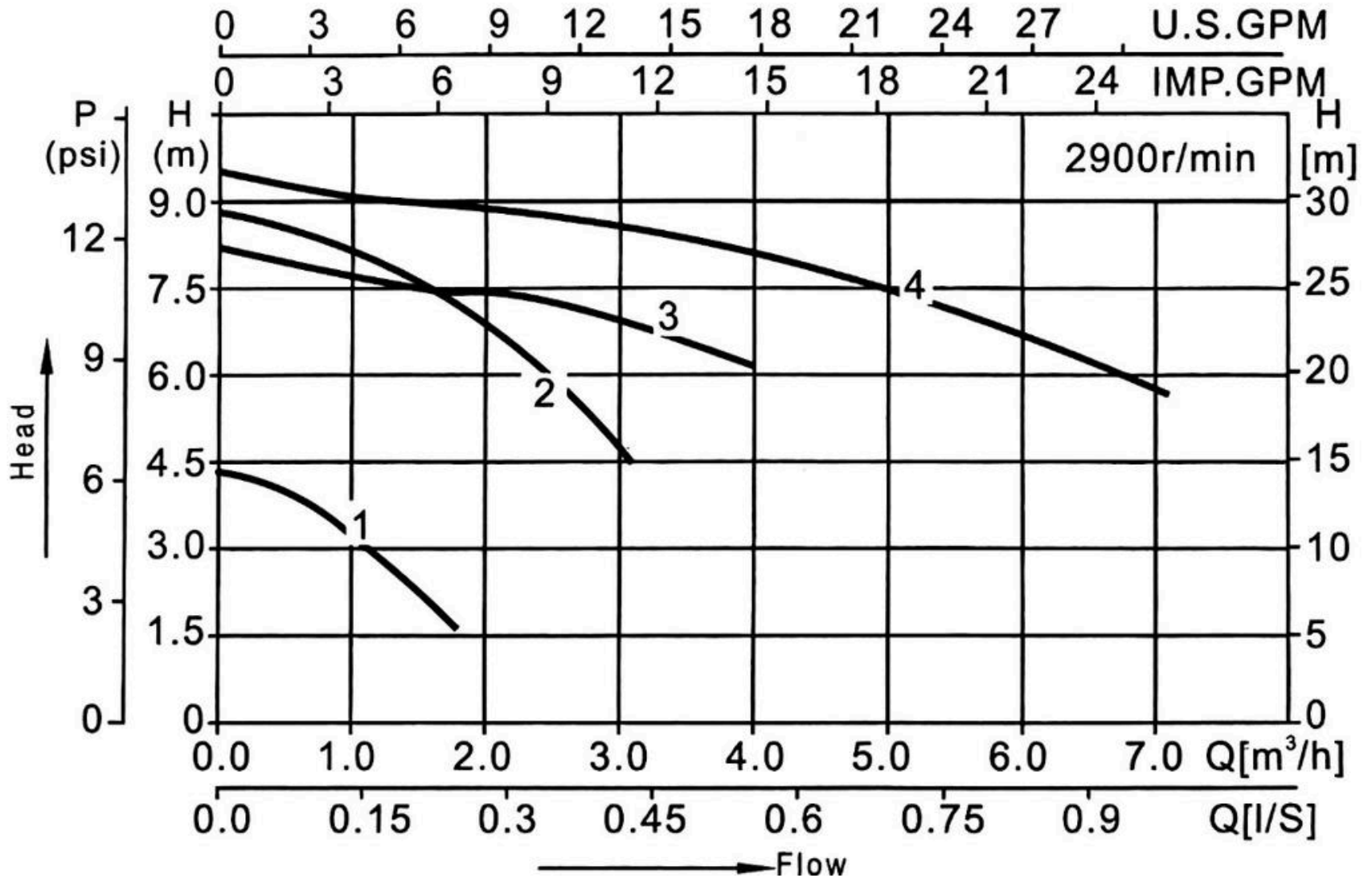
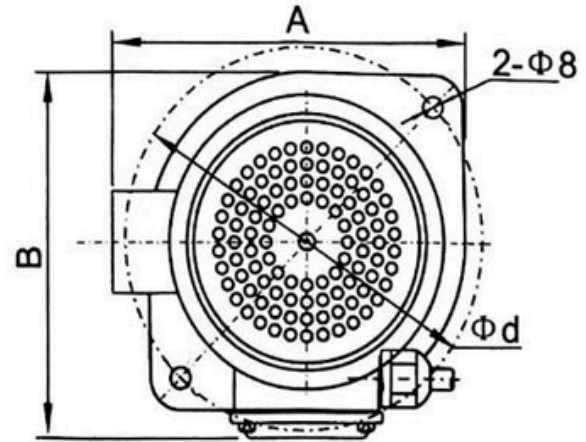
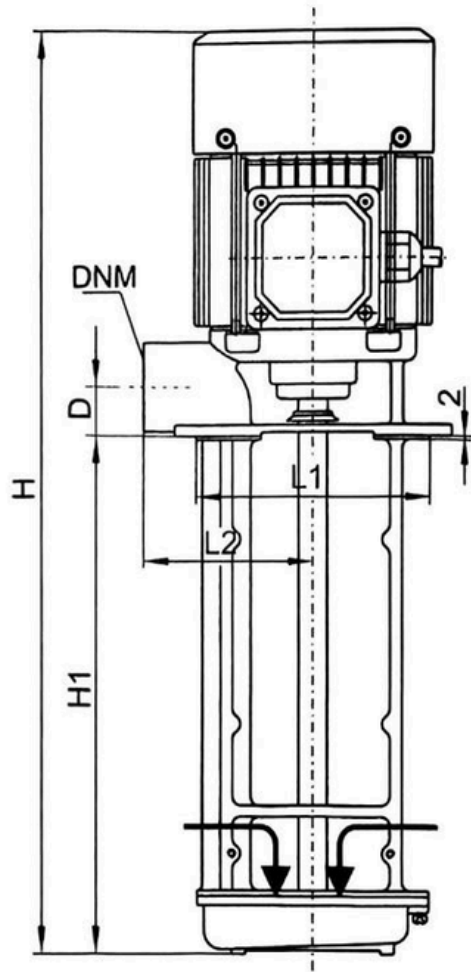




# Performance curves





Model	Shape Size (mm)							
	A	B	D	L1	L2	H	H1	d
LCP2-180T	150	162	20	φ115	80	398	182	160