

G SERIES SEWAGE PUMP

0.75~5.5kW 2P

50Hz : 2850rpm

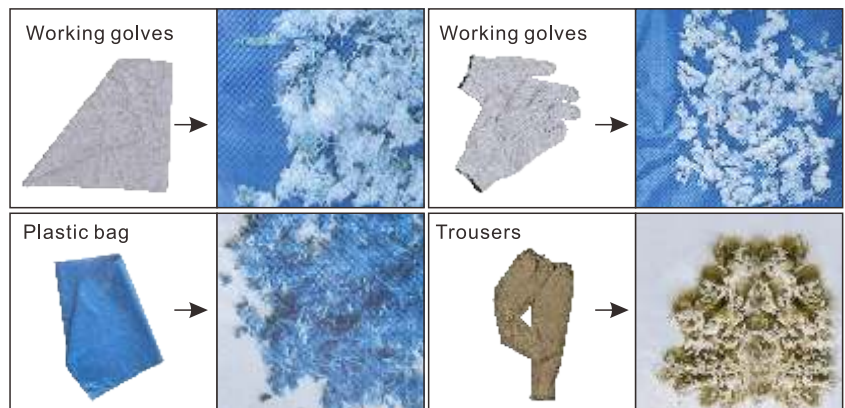
60Hz : 3450rpm

Specification

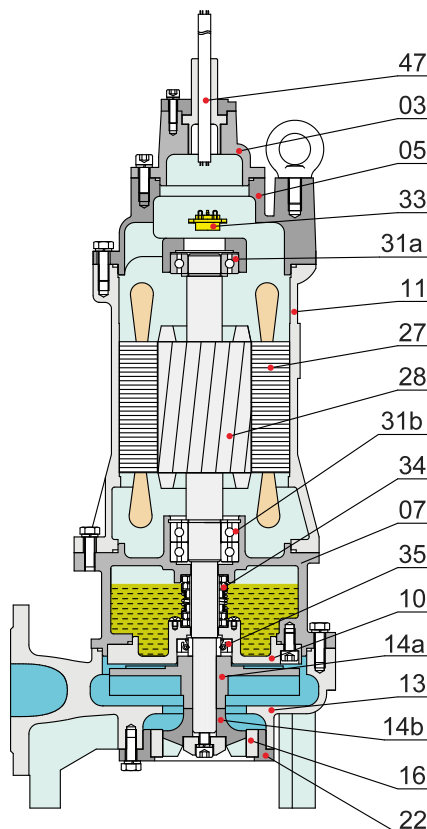
- Insulation class : F
- Protection class : IP68
- Water temperature : up to 40°C
- PH : 6 to 10
- Density of liquid : 1.3g/cm³
- Power supply :
 - three phase 380V ±10%, 50Hz
 - three phase 380V ±10%, 60Hz
 - single phase 220V ±10%, 50Hz
 - single phase 220V ±10%, 60Hz
- Motor protection : built in
- Capacity : up to 25m³/h
- Head : up to 42m
- Maximum immersion depth : 10m
- Cable length : 8m



GRINDING CAPACITY OF G PUMPS



Materials of construction



Item No.	Part name	Material
01	Hose coupling	Cast iron
01a	Hose coupling	Cast iron
03	Terminal box	Cast iron
05	Upper cover	Cast iron
07	Bearing house	Cast iron
10	Seal bracket	Cast iron
11	Motor body	Cast iron
13	Pump body	Cast iron
14a	Impeller	Ductile iron
14b	Rotaionary blade	High chrome alloy
16	Stationary Blade	High chrome alloy
17	Coupling adapter	Cast iron
22	Seat assembly	Cast iron
22a	Coupling seat	Cast iron
22b	Upper guide support	Cast iron
27	Stator	
28	Rotor	Shaft : AISI304SS
30	Flange	Cast iron
31a	Bearing	Ball bearing
31b	Bearing	Ball bearing
33	Motor protector	
34	Mechanical seal	Sic-Sic/Carbon-Ceramic
35	Oil seal	
47	Cable	