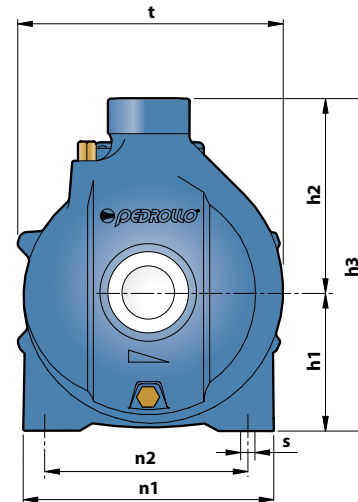
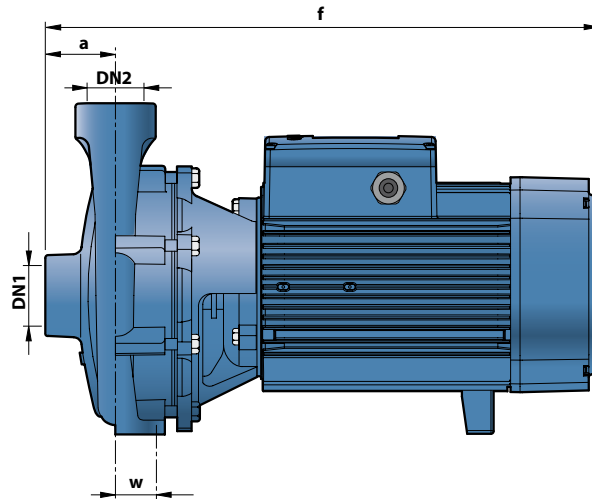


DIMENSIONS AND WEIGHT



MODEL		PORTS		DIMENSIONS mm									kg		
Single-phase	Three-phase	DN1	DN2	a	f	h1	h2	h3	t	n1	n2	w	s	1~	3~
-	CP 220C	2"	2"	70	429	132	183	315	243	230	170	40	14	-	32.8
-	CP 220A				459	136	192	328	273	250	190			-	41.0
-	CP 230C				440	132	183	315	243	230	170			-	31.9
-	CP 230B				460	136	192	328	273	250	190			-	41.0