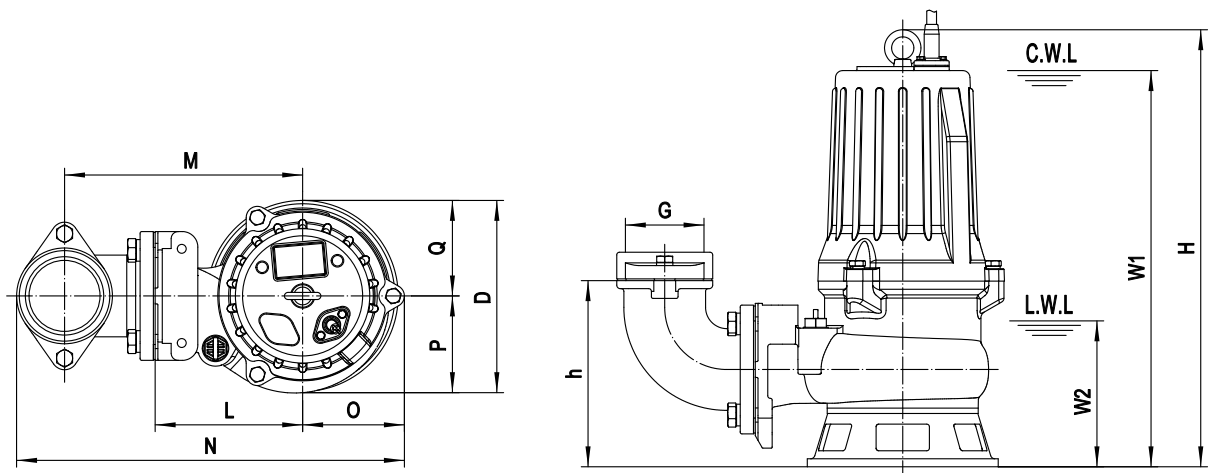


Model	Voltage	Current	Motor power		Outlet		Rated capacity	Rated head	Max capacity	Max Head	Impeller Passage	Cable
	V	A	kW	HP	in	mm	m³/h	m	m³/h	m	mm	mm²
50C2.75T	380	2.0	0.75	1	2	50	15	6	23	12	20	4G1.0
80C21.5T	380	3.2	1.5	2	3	80	27	8	52	13	40	4G1.5

Hard Pipe Installation(Y)



C.W.L : Continuous running water level
L.W.L : Lowest running water level

Dimensions table

Model	G	h	W1	W2	H	O	P	Q	L	D	M	N	N.W	G.W	Packing dimension mm
													kg	kg	
50C2.75T	G2"	170	400	170	410	100	100	100	138	200	225	361	25.5	27	460×250×210
80C21.5T	G3"	210	465	190	497	115	110	108	166	218	268	437	43	48	580×220×320