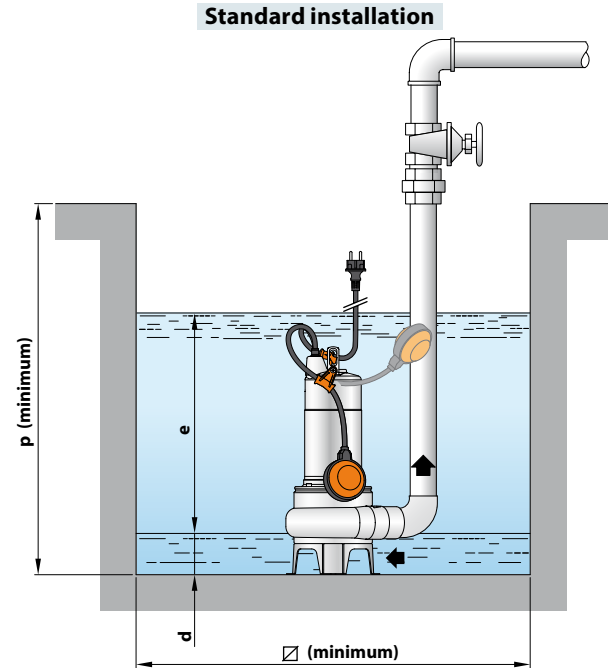
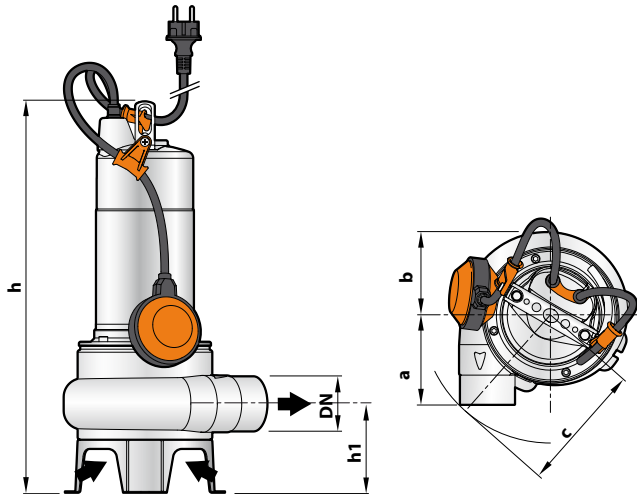


DIMENSIONS AND WEIGHT



MODEL	PORT DN	Passage of solids	DIMENSIONS mm									kg		
			a	b	c	h	h1	d	e	p	∅	1~	3~	
Single-phase														
VXm 10/50-ST	2"	∅ 50 mm	102	95	140	432	102	60	variable	500	500	11.0	10.8	