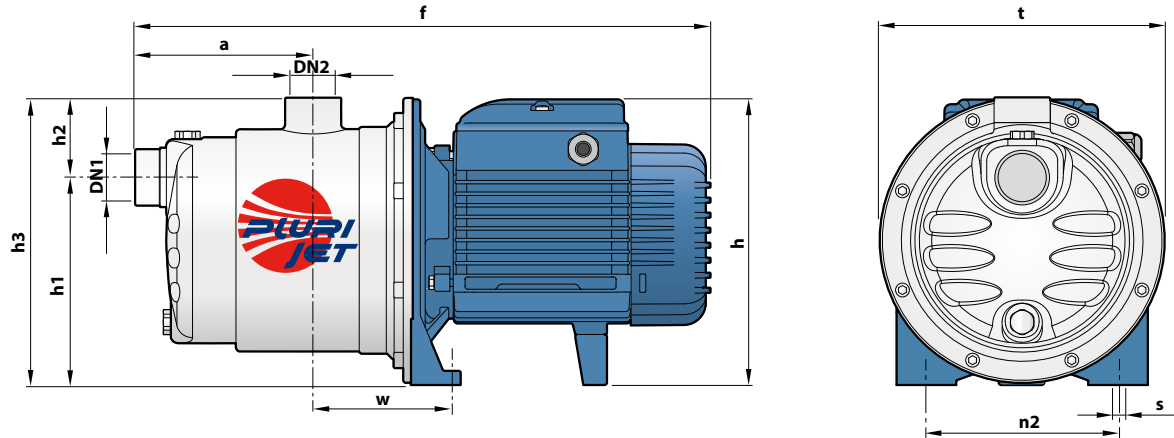


## DIMENSIONS AND WEIGHT



MODEL		PORTS		DIMENSIONS mm										kg	
Single-phase	Three-phase	DN1	DN2	a	f	h	h1	h2	h3	t	n2	w	s	1~	3~
PLURIJETm 4/80	PLURIJET 4/80	1"	1"	138	392	182	132	51	183	182	120	87	9	9.2	8.7

(\*) h=221 mm for single-phase versions at 110 V