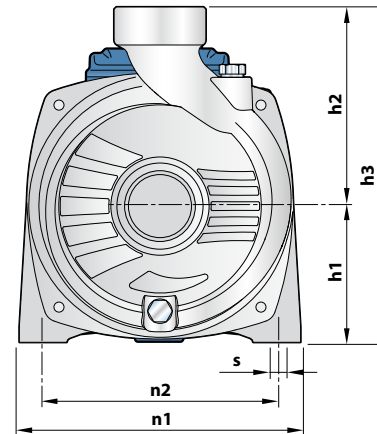
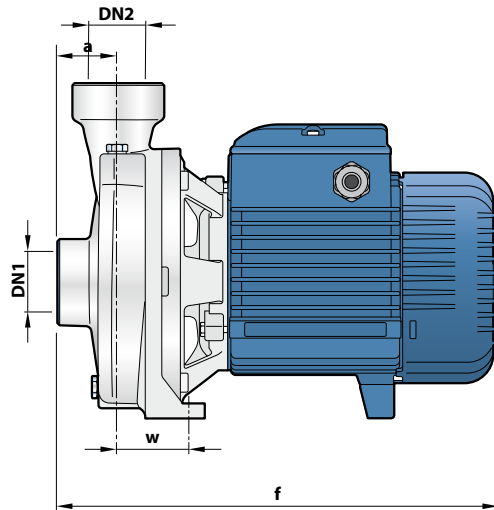


## DIMENSIONS AND WEIGHT



| MODEL         |              | PORTS |     | DIMENSIONS mm |     |    |       |       |     |     |    |    | kg   |      |
|---------------|--------------|-------|-----|---------------|-----|----|-------|-------|-----|-----|----|----|------|------|
| Single-phase  | Three-phase  | DN1   | DN2 | a             | f   | h1 | h2    | h3    | n1  | n2  | w  | s  | 1~   | 3~   |
| -             | NGA 1B - PRO | 1½"   | 1½" | 41            | 299 | 92 | 134.5 | 226.5 | 190 | 160 | 50 | 10 | -    | 12.7 |
| NGAm 1A - PRO | NGA 1A - PRO |       |     |               |     |    |       |       |     |     |    |    | 12.9 | 12.7 |