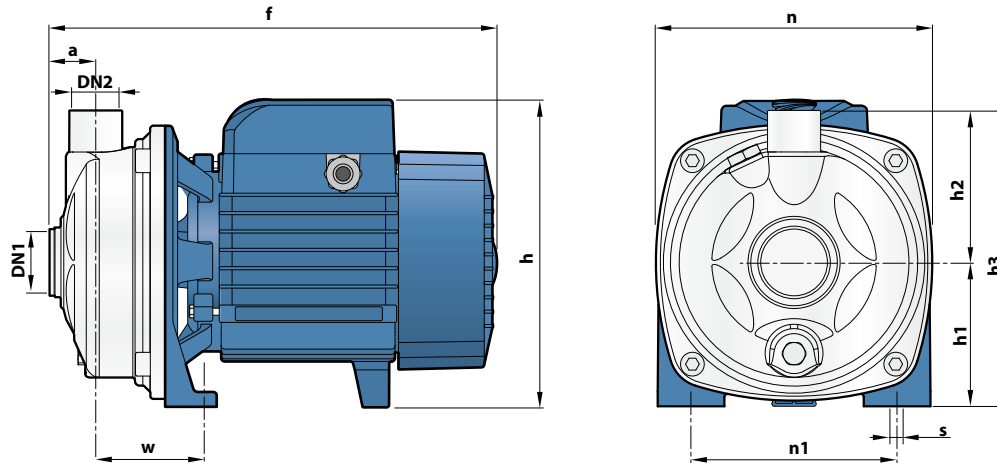


DIMENSIONS AND WEIGHT



MODEL		PORTS		DIMENSIONS mm										kg	
Single-phase	Three-phase	DN1	DN2	a	f	h	h1	h2	h3	n	n1	w	s	1~	3~
AL-RED 135m	-	1¼"	1"	31	296	206 *	97	103	200	186	135	73.5	10	9.1	-

(*) h=225 mm for single phase versions at 110 V