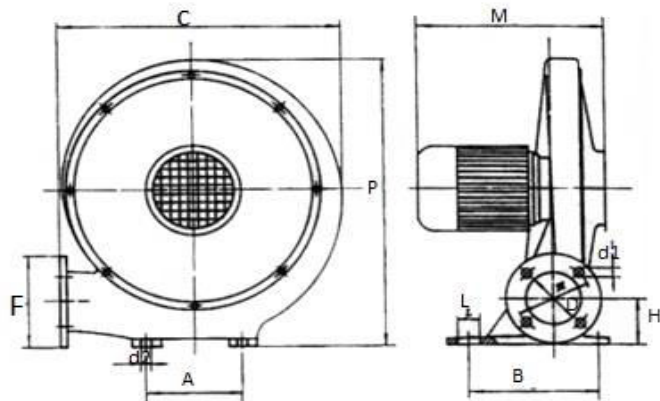


Air Blower (Low noise) China

1. The E series low noise blowers with German and Japanese parts are designed in Germany.
2. Their vanes and casings are assembled with Sweden bearings.
3. They have the advantages of low noise, large capacity, good blowing pressure small power consumption, artistic and durable form, having types (E1, E2, E3, E4, E5, E6)



Dimensions:

Type	Blowing hole Dia.	Installation dimensions					Height of centre H	Connection of blowing hole	Connection dimension of blowing hole				Overall dimension		
		No. of bores	Bore Distance		Bore ϕ				D	N	F	d1	M	C	P
			A	B	L	d2									
TY180 (E1)	60	2	82		32	12	54	Flange	60	89	106	9	250	355	327
TY350 (E2)	65	2	90		32	12	64		65	95	120	11	265	380	370
TY370 (E3)	75	4	125	165	32	12	68		75	108	130	11	270	422	405
TY550 (E4)	80	4	135	180	32	12	68		80	112	132	11	290	470	440
TY750 (E5)	100	4	135	180	32	12	85		100	135	160	11	335	480	445
TY950 (E6)	100	4	135	180	32	12	85		100	135	160	11	335	480	445

Model	Power	Voltage	Size	Capacity	Pressure
E1-180	180 watt	240 V	65mm (2-1/2")	6.4m ³ /min	1039 Pa
E2-250	250 watt	240 V		6.8m ³ /min	1049 Pa
E2-250		415 V	80mm (3")	11.3m ³ /min	1194 Pa
E3-370	370 watt	240 V			
E3-370	415V	12.1m ³ /min		1275 Pa	
E4-550	550 watt				240 V
E4-550	415 V	100mm (4")	15.1m ³ /min	1642 Pa	
E5-750	750 watt				240 V
E5-750	415V		20.5 ³ /min	2352 Pa	
E6-950	950 watt				240 V
E6-950	415 V				